

GSTIN : 22AUFP8634F1Z1

AMAR JYOTI

MACHINERY CORPORATION

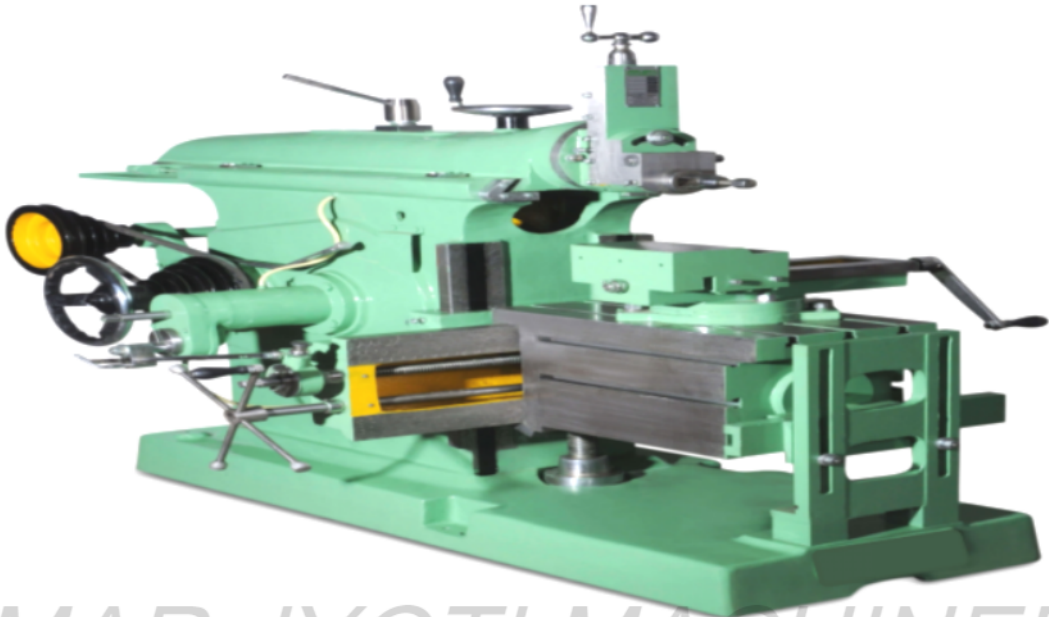


4, MAIN BILASPUR ROAD, BHANPURI CHOWK, BHANPURI, RAIPUR-493221, CHHATTISGARH (IND)
Mo.: +91-9522015586; +91-9522015584

AMAR JYOTI MACHINERY

INDUSTRIAL MACHINERY

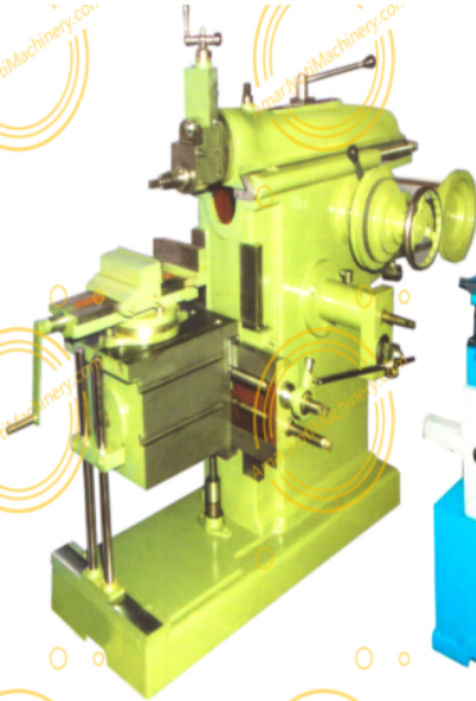
Visit At: WWW.AMARJYOTIMACHINERY.COM Email : raipur.amarjyoti@gmail.com



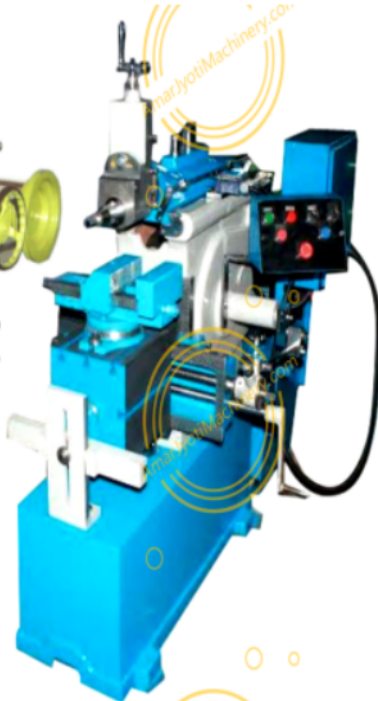
AMAR JYOTI MACHINERY

➤ **SHAPING MACHINE** TECHNICAL SPECIFICATION

Model Number	SPM 12	SPM 18	SPM 24	SPM 30	SPM 36	SPM 42
Length of Ram Stroke	305 MM	457 MM	610 MM	762 MM	915 MM	1065 MM
Length of Ram	660 mm	960 mm	1232 mm	1410 mm	1651 mm	2108 mm
Length X Width Of Ram Bearing	724X203 mm	700X270mm	867X300mm	1020X330mm	1130X330mm	1600X330mm
Working Surface Of Table	305X228 mm	457X305mm	610X370mm	762X390mm	915X457mm	1078X533mm
Horizontal Table Travel Max	330 mm	488 mm	635 mm	787 mm	940 mm	1075 mm
No. Of Ram Speeds	3	4	4	4	4	4
Power Supply	1 H.P	2 H.P	3 H.P	5 H.P	5 H.P	7.5 H.P



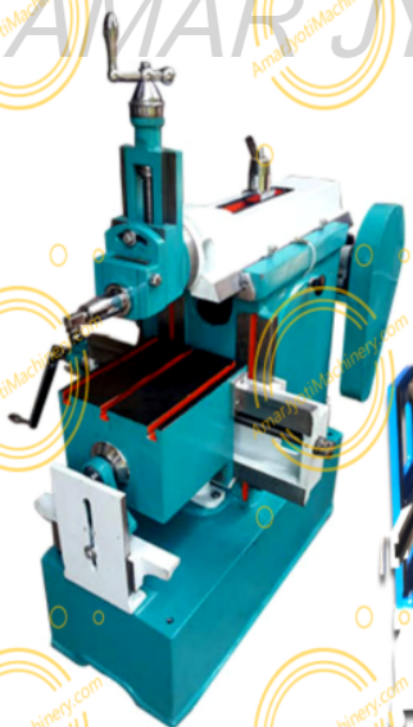
SHAPER 12 INCH



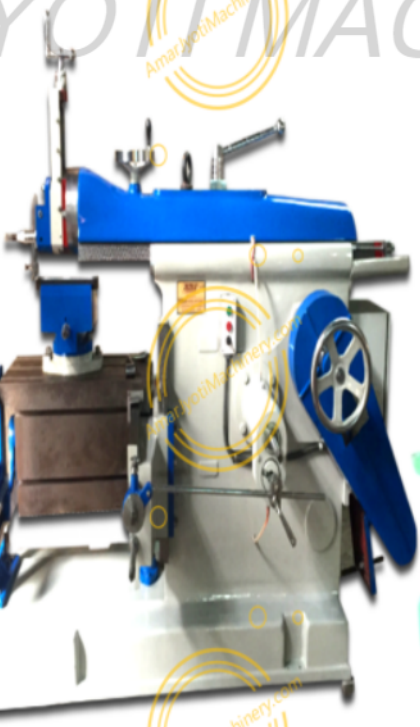
SHAPER HYDRAULIC



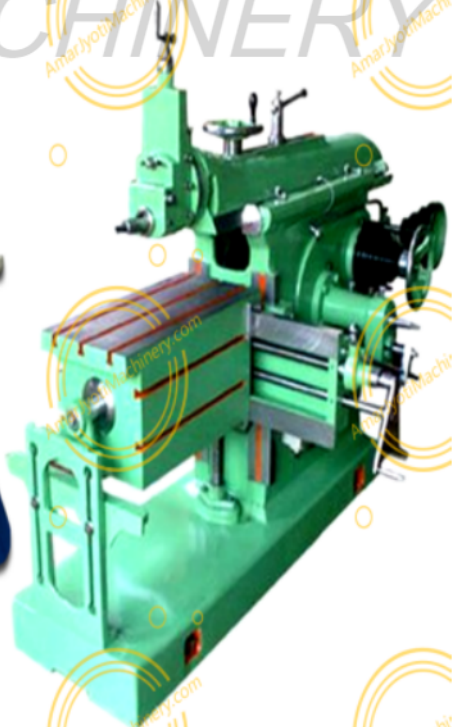
SHAPER 24 INCH



SHAPER 18 INCH



SHAPER ALL GEARED



SHAPER 30 INCH

AMAR JYOTI MACHINERY